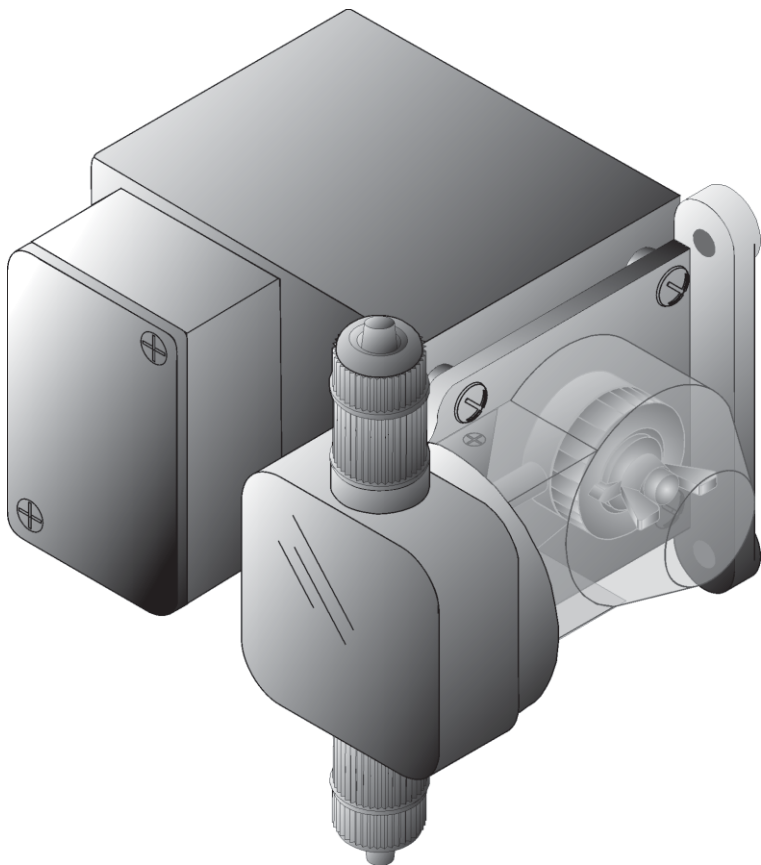


# **Blue-White<sup>®</sup>**

## **Industries, Ltd.**

### DIAPHRAGM INJECTOR MODEL C-600P & C-600HV



5300 Business Drive  
Huntington Beach, CA 92649  
USA

**Phone:** 714-893-8529 **FAX:** 714-894-9492

**E-mails:** [sales@blue-white.com](mailto:sales@blue-white.com) or [techsupport@blue-white.com](mailto:techsupport@blue-white.com)  
[www.blue-white.com](http://www.blue-white.com)

## TABLE OF CONTENTS

| <u>SECTION</u> | <u>HEADING</u>                                       | <u>PAGE</u> |
|----------------|--|-------------|
| 1              | Introduction   | 2           |
| 2              | Specifications                                       | 2           |
| 3              | Features   | 3           |
| 4              | How to install the metering pump                     | 3           |
| 4.1            | Mount Location                                       | 4           |
|                | Installation   | 5           |
| 4.2            | Electrical connections                               | 6           |
| 4.3            | How to install the tubing and fittings               | 7           |
| 5              | How to operate the metering pump                     | 9           |
| 5.1            | Adjusting the Pump Output - Standard Models          | 9           |
| 5.2            | Adjusting the Pump Output - Fixed cycle timer Models | 9           |
| 5.3            | Measuring the pump's output - volumetric test        | 10          |
| 6              | How to maintain the metering pump                    | 10          |
| 6.1            | Routine inspection and cleaning                      | 10          |
| 6.2            | How to clean the metering pump                       | 10          |
|                | Exploded View (C-600HV)                              | 11          |
|                | Exploded View (C-600P)                               | 13          |

**1.0 Introduction**

Congratulations on purchasing the C-600 positive displacement metering pump. The C-600 is designed to inject chemicals into piping systems. The pump has been tested by NSF International for use with 12 ½% Sodium Hypochlorite. All models are equipped with a top mounted mechanical flow rate adjustment knob. Optional on/off cycling timers are available.

**2.0 Specifications**

|  |   |
|--|---|
| <b>Maximum Working Pressure</b>              | 125 psig / 8.6 bar* (C-600P)            |
| 20 psig 1. 37 bar* (C-600HV)                 |   |
| <b>Maximum Fluid Temperature</b>             | 130° F / 54° C                          |
| <b>Output Accuracy</b>                       | +/- 10% of maximum                      |
| (water @ 70° F, 0 psig, and 5' suction lift) |   |
| <b>Ambient Temperature Range</b>             | 14 to 110° F / -10 to 43° C             |
| <b>Enclosure</b>                             | Zinc - Metal                            |
| <b>Duty Cycle</b>                            | Continuous                              |
| <b>Maximum Viscosity</b>                     | 1,000 Centipoise                        |
| <b>Maximum Suction Lift</b>                  | up to 10 ft. water                      |
| <b>Power Requirements</b>                    | 115V60Hz 45 Watts (0.74A max.)          |
|  | 220V50Hz 45 Watts (0.31A max.)          |
|  | 230V60Hz 45 Watts (0.36A max.)          |
|  | 24V60Hz 45 Watts (3.4A max.)            |
|  | 12VDC (3A max.)                         |
|  | 24VDC (1.5A max.)                       |
| <b>Dimensions</b>                            | 6-1/2" H x 6-1/2" W x 5-3/4" D (C-600P) |
|  | 7"H x 6-3/4" W x 6-1/8" D (C-600HV)     |
| <b>Weight</b>                                | 8 lb.                                   |

\*Depending on Model number

### 3.0 Features

- Double-ball ceramic check valves.
- PVDF (Kynar) valve assemblies.
- Aflas o-rings.
- High outlet pressure capability of 125 PSIG.\*
- Easy access, side mounted mechanical feed rate adjustment.
- Ball bearing supported motor drive shaft.
- Permanently lubricated ball bearing motor.
- 27:1 adjustment turn down ratio.
- Easy servicing.
- Includes suction tube foot valve & strainer, suction tube weight, suction tubing, discharge tubing and injection fitting with internal back-flow check valve and mounting hardware.

\* Most C-600P Models. C-600HV has max pressure rating of 20 PSIG

### 4.0 How To Install the Metering Pump

**CAUTION: PROPER EYE AND SKIN PROTECTION MUST BE WORN WHEN INSTALLING AND SERVICING THE PUMP.**

**CAUTION - TO PREVENT CHEMICAL OVERDOSING WHEN USED AS A POOL OR SPA CHLORINATOR, POWER MUST BE REMOVED FROM THIS PUMP DURING THE BACKWASH CYCLE AND DURING PERIODS OF NO FLOW IN THE RECIRCULATION SYSTEM.**

***Note:** All diagrams are strictly for guideline purposes only. Always consult an expert before installing the metering pump into specialized systems. The metering pump should be **serviced by qualified persons only.***

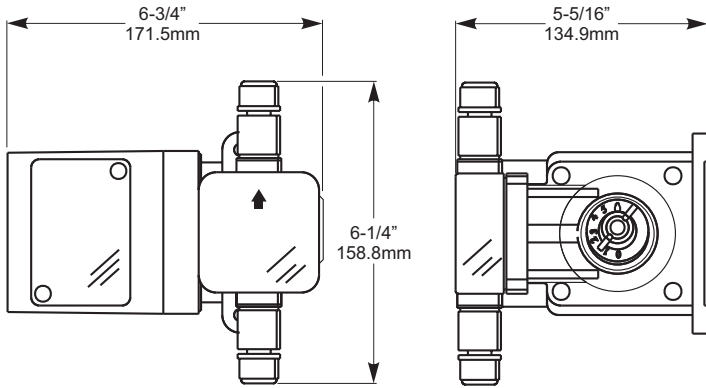
#### 4.1 Mounting Location

- Choose an area located near the chemical supply tank, chemical injection point and electrical supply. Install the pump where it can be easily serviced.
- Mount the pump to a secure surface or wall using the enclosed hardware. Wall mount to a solid surface only. Mounting to drywall with anchors is not recommended.
- Keep the outlet (discharge) tubing as short as possible. Longer tubing increases the back pressure at the pump head.
- Do not mount the pump directly over your chemical container. Chemical fumes may damage the unit. Mount the pump off to the side or at a lower level than the chemical container.
- Mounting the pump lower than the chemical container will gravity feed the chemical into the pump. This "flooded suction" installation can reduce the time required to prime the pump. Install a shut-off valve, pinch clamp or other means to halt the gravity feed to the pump during servicing.

**CAUTION - TO ENSURE CHEMICAL DOES NOT SYPHON THROUGH THE PUMP, INSTALL THE INCLUDED SPRING-LOADED INJECTION CHECK-VALVE OR A SUITABLE ANTI-SYPHON VALVE.**

- Your solution tank should be sturdy. Keep the tank covered to reduce fumes.
- Be sure your installation does not constitute a cross connection with the drinking water supply. Check your local plumbing codes.

C-600P



C-600HV

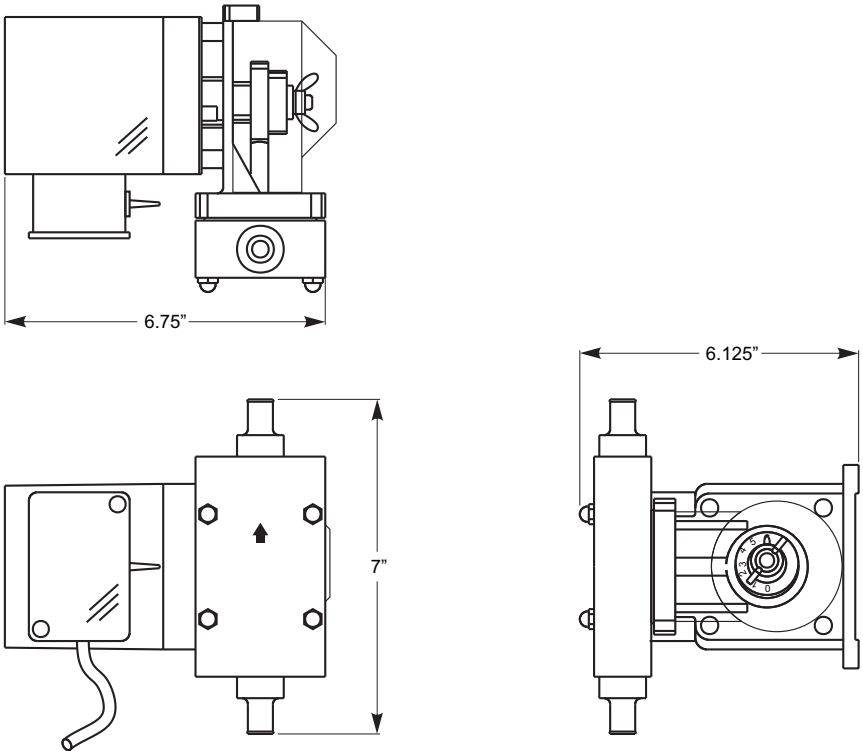
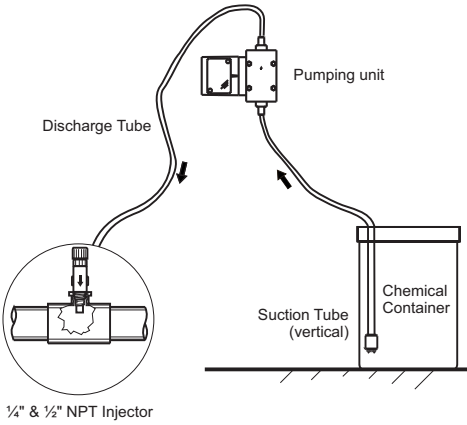
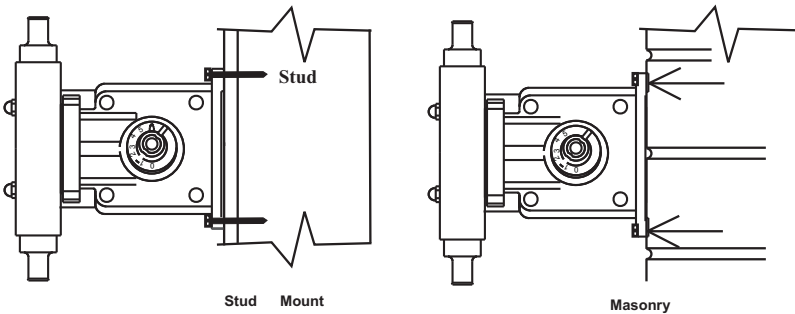


FIG. 4.1 DIMENSIONAL DRAWING



**TYPICAL INSTALLATION**



**WALL MOUNTING**

### 4.2 Electrical Connections

Be certain to connect the pump to the proper supply voltage. Using the incorrect voltage will damage the pump and may result in injury. The voltage requirement is printed on the pump serial label.

POWER: 115V60Hz (0.74A max.), 220V50Hz (0.31A max.), 230V60Hz (0.36A max.), 24VAC/60Hz (3.4A max.), 12VDC (3A max.), 24VDC (1.5A max.)

**Note:** When in doubt regarding your electrical installation, contact a licensed electrician.

The metering pump is supplied with a junction box for field wiring.

**JUNCTION BOX MODELS** -To reduce the risk of electric shock, be certain that a grounding conductor is connected to the green grounding screw located in the junction box.

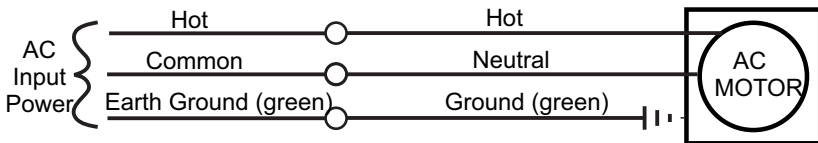
## WARNING -RISK OF ELECTRICAL SHOCK

**CAUTION - TO PREVENT CHEMICAL OVERDOSING WHEN USED AS A POOL OR SPA CHLORINATOR, CONNECT THE PUMP'S AC MAIN POWER TO THE SAME CIRCUIT AS THE CIRCULATION PUMP.**

### MOTOR LEADWIRES

| INPUT VOLTAGE | HOT LEADWIRE     | NEUTRAL LEADWIRE | GROUND LEADWIRE |
|---------------|------------------|------------------|-----------------|
| 115V 60Hz     | BLACK or YELLOW* | BLUE             | GREEN           |
| 220V 50Hz     | BLUE or YELLOW*  | BROWN            | GREEN           |
| 230V 60Hz     | BLACK or YELLOW* | RED              | GREEN           |
| 24V 60Hz      | BLUE*            | WHITE            | GREEN           |

\* Yellow leadwire : thermally protected motor  
Black or Blue leadwire: standard impedance protected motor



**FIG. 4.5 WIRING DIAGRAM - STANDARD MODELS**

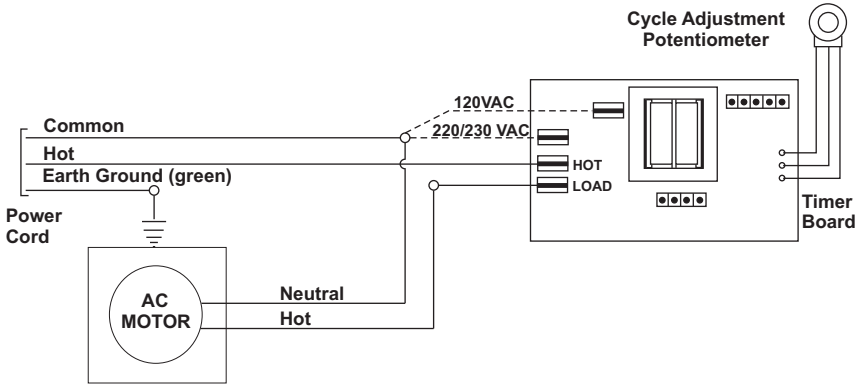


FIG. 4.6 WIRING DIAGRAM - FIXED TIMERS

4.3 How To Install the Tubing and Fittings

**CAUTION: PROPER EYE AND SKIN PROTECTION MUST BE WORN WHEN INSTALLING AND SERVICING THE PUMP**

**Inlet Tubing** - Locate the inlet fitting of the pump head. Remove the tube nut. Push the clear PVC suction tubing onto the compression barb of the fitting. Use the tube nut to secure the tube. Hand tighten only.

**Footvalve/Strainer** -Trim the inlet end of the suction tubing so that the strainer will rest in a vertical position, approximately one inch from the bottom of the solution tank. This will prevent sediment from clogging the strainer. Loss of prime may occur if the footvalve is permitted to lay on the bottom of the solution tank in a horizontal position. Slip the ceramic weight over the end of the suction tube. Press the footvalve/strainer into the end of the tube. Secure the ceramic weight to the strainer. Drop the strainer into the solution tank.

**Outlet Tubing** - Locate the outlet fitting of the pump head, Remove the tube nut. Push the rigid outlet (discharge) tubing onto the compression barb of the fitting. Use the tube nut to secure the tube. Hand tighten only.

Trim the other end of the outlet tube leaving only enough slack to connect it to the Injection/Check valve Fitting . Increasing the length of the outlet tube increases the back pressure at the pump head, particularly when pumping viscous fluids.

**Keep the inlet and outlet tubes as short as possible.**

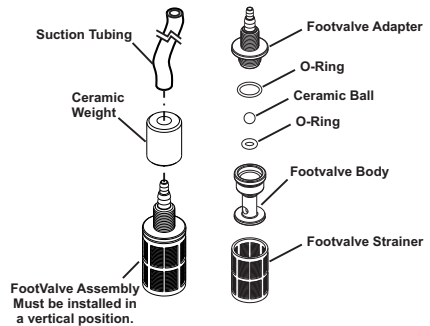
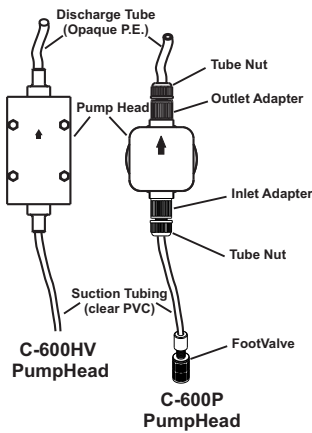
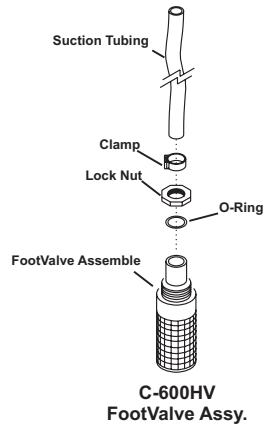


FIG. 4.8 C-600P FootValve Assy.

**4.3.4 Injection/Check Valve Fitting Installation -** The Injection/Check valve fitting is designed to install directly into either 1/4" or 1/2" female pipe threads. This fitting will require periodic cleaning, especially when injecting fluids that calcify such as sodium hypochlorite. These lime deposits and other build ups can clog the fitting increasing the back pressure and interfering with the check valve operation.

Install the Injection/Check valve directly into the tee fitting. Do not install the fitting into a pipe stud and then into the tee. The solution must inject directly into the flow stream.

Use PTFE thread sealing tape on the pipe threads. Push the opaque outlet (discharge) tubing onto the compression barb of the Injection/Check valve fitting. Use the tube nut to secure the tube. Hand tighten only.



C-600HV FootValve Assy.

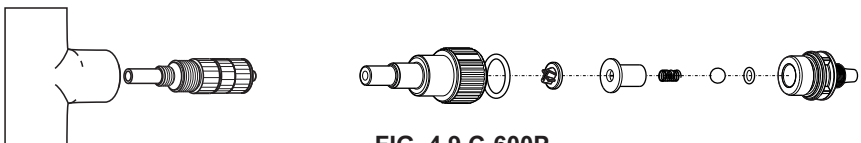


FIG. 4.9 C-600P INJECTION/CHECK VALVE TEE INSTALLATION AND EXPLODED VIEW

**CAUTION - TO ENSURE CHEMICAL DOES NOT SYPHON THROUGH THE PUMP, INSTALL THE INCLUDED SPRING-LOADED INJECTION CHECK-VALVE OR A SUITABLE ANTI-SYPHON VALVE.**

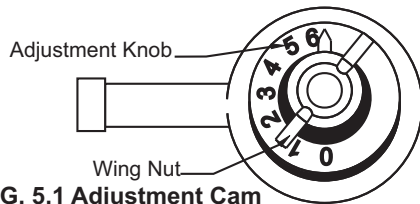


## 5.0 How To Operate The Pump

**5.1 Adjusting the Pump Output-** The flow rate can be adjusted within a range of approximately 10%-100% of maximum output (27:1 turndown ratio) by means of a mechanical, cam type mechanism. The mechanism adjusts the pump's stroke length to 1 of 27 settings within the flow range. The pump's output is affected by the pressure of the system, the amount of suction lift, and the viscosity of the fluid being injected into the pump must be over-sized to allow for these factors. Sizing the pump to allow adjustment within the midrange is preferred to maintain accuracy. Consult the factory for individual pump model output curve data.

### To adjust the pump output:

1. Make sure the pump is off before adjusting.
2. Loosen the wing nut.
3. Turn adjusting knob so the pointer is on the desired setting. *Note:* pump less chemical at first, then re-adjust.
4. While holding the knob, tighten the wing nut to keep the knob at the desired setting. *Note:* wing nut must be tight.



**FIG. 5.1 Adjustment Cam**

### Priming The Pump

Each pump is factory tested with water. The test water is sealed in the pump head keeping the valves dry to aid in priming. If the valves have dried or priming is difficult due to back pressure, do the following:

1. Remove the opaque discharge tubing from the top valve fitting in the pumphead.
2. Remove the top and bottom valve fittings and immerse in water to wet the valves. Reinstall the fittings.
3. With the discharge tubing removed, start the pump. Stop the pump when the fluid enters the pumphead.
4. Attach the discharge tubing to the top valve fitting.
5. Be sure the footvalve/strainer is attached to the suction tubing and is installed in a vertical position.

If your installation is at high altitude, priming may be more difficult since the atmospheric pressure is decreased. When the suction line is dry, the diaphragm may not create enough pull. If this is the case, do the following:

1. Remove the clear suction tube from the bottom valve fitting and fill completely with water.
2. While the pump is running, attach the tube (filled with water) to the bottom valve fitting.
3. When the fluid enters the pumphead, place the foot valve in the solution tank.
4. Be sure the footvalve/strainer is attached to the suction tubing and is installed in a vertical position.

### 5.3 Measuring the Pump's Output - Volumetric Test.

This volumetric test will take into account individual installation factors such as line pressure, fluid viscosity, suction lift, etc. This test is the most accurate for measuring the injector's output in an individual installation.

1. Be sure the Injection Fitting and Footvalve/Strainer is clean and working properly.
2. With the injector installed under normal operating conditions, place the Footvalve/Strainer in a large graduated cylinder.
3. Fill the graduated cylinder with the solution to be injected and run the injector until all air is removed from the suction line and the solution enters the discharge tubing.
4. Refill the graduated cylinder, if necessary, and with the Footvalve completely submerged in the solution, note the amount of solution in the graduated cylinder.
5. Run the injector for a measured amount of time and note the amount of fluid injected. A longer testing time will produce more accurate results.

### 6.0 How to Maintain the Pump

**CAUTION: PROPER EYE AND SKIN PROTECTION MUST BE WORN WHEN INSTALLING AND SERVICING THE METERING PUMP**

#### 6.1 Routine Inspection and Maintenance

The Pump requires very little maintenance. However, the pump and all accessories should be checked regularly. This is especially important when pumping chemicals. Inspect all components for signs of leaking, swelling, cracking, discoloration or corrosion. Replace worn or damaged components immediately.

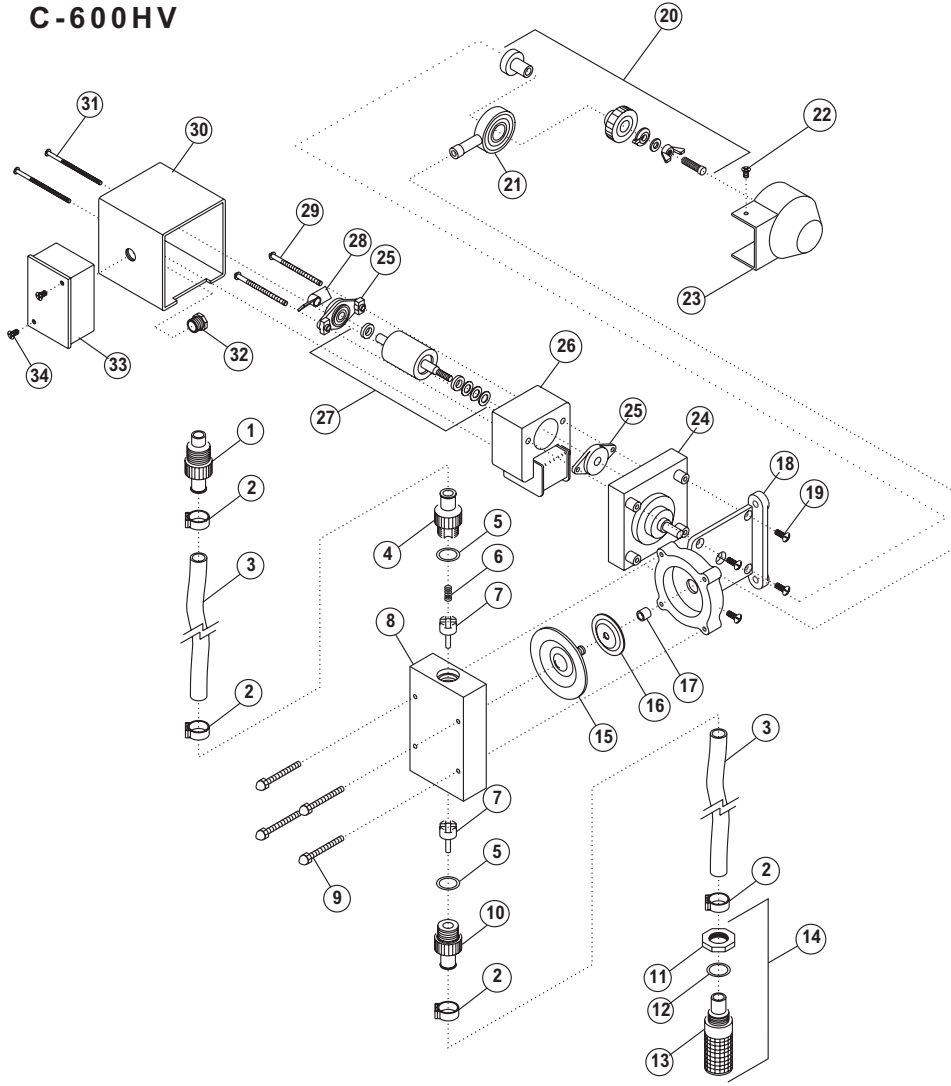
Cracking, crazing, discoloration and the like during the first week of operation are signs of severe chemical attack. If this occurs, immediately remove the chemical from the pump. Determine which parts are being attacked and replace them with parts that have been manufactured using more suitable materials. The manufacturer does not assume responsibility for damage to the pump that has been caused by chemical attack.

#### 6.2 How to Clean the Pump

The Pump will require occasional cleaning, especially the Injection fitting, the Footvalve/Strainer, and the pump head valves. The frequency will depend on the type and severity of service. When changing the diaphragm, the pump head chamber and pump head cover should be wiped free of any dirt and debris. Periodically clean the injection/check valve assembly, especially when injecting fluids that calcify such as sodium hypochlorite. These lime deposits and other build ups can clog the fitting, increase the back pressure and interfere with the check valve operation. Periodically clean the suction strainer. Periodically inspect the air vents located on the back of the motor compartment and under the pump head. Clean if necessary.

# Exploded View

## C-600HV

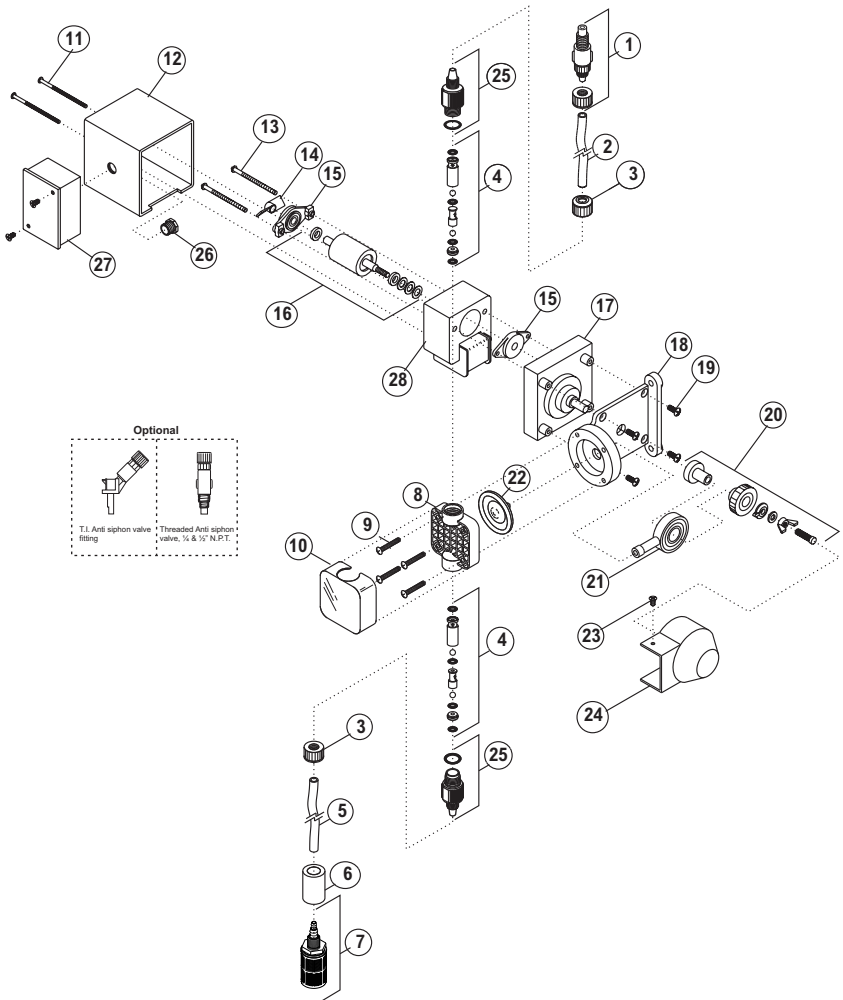


## C-600HV Parts List

|     | <u>Catalog No.</u> | <u>Description</u>                 | <u>Amount Reqd.</u> |
|-----|--------------------|------------------------------------|---------------------|
| 1.  | C-3391-10          | Injection Fitting                  | 1                   |
| 2.  | C-3330             | Clamp                              | 4                   |
| 3.  | C-334-10           | Tubing 5/8" O.D. , 5FT             | 2                   |
| 4.  | C-428-10           | Top Adaptor, 5/8" Tube             | 1                   |
| 5.  | 90003-033          | O-ring (EP) (Aflas)                | 1                   |
| 6.  | C-354-2            | Spring                             | 1                   |
| 7.  | C-926E             | Check Valve (Hypalon)              | 1                   |
|     | C-926V             | Check Valve (Aflas)                | 1                   |
| 8.  | C-3203             | Headblock (Clear) (Polyethylene)   | 1                   |
| 9.  | C-3504             | Screw, (Headblock) #8-32X1 1/2     | 4                   |
| 10. | C427-10            | Bottom Adaptor, 5/8" Tube          | 1                   |
| 11. | C-3345C            | Lock Nut                           | 1                   |
| 12. | C-3345C            | O-ring                             | 1                   |
| 13. | C-3373-10          | Foot Strainer                      | 1                   |
| 14. | C-3393-10          | Combination Foot Strainer Bulkhead | 1                   |
| 15. | C-3106NH           | Diaphragm (Hypalon)                | 1                   |
|     | C-3106NV           | Diaphragm (Aflas)                  | 1                   |
| 16. | 90006-526          | Aluminum Backup Washer             | 1                   |
| 17. | 76000-514          | H.V. Aluminum Spacer               | 1                   |
| 18. | C-3301             | Motor Mount                        | 2                   |
| 19. | C-624              | Screw 10-32X1/2                    | 4                   |
| 20. | C-3325             | Cam Set                            | 1                   |
| 21. | C-3304             | Yoke and Bearing                   | 1                   |
| 22. | 90011-155          | Screw 6-32X3/8"                    | 1                   |
| 23. | 90002-201          | Cam Cover                          | 1                   |
| 24. | C-618P-60          | Gearbox Assembly(60 RPM)           | 1                   |
|     | C-618P-125         | Gearbox Assembly(125 RPM)          | 1                   |
|     | C-618P-250         | Gearbox Assembly(250 RPM)          | 1                   |
| 25. | C-612PB            | Armature Bearing                   | 2                   |
| 26. | C-615P1            | Motor Winding (115V-60hz)          | 1                   |
|     | C-615P2            | Motor Winding (230V-60hz)          | 1                   |
|     | C-615P3            | Motor Winding (220V-50hz)          | 1                   |
| 27. | 70000-027          | Rotor w/ Spacers                   | 1                   |
| 28. | C-612F             | Armature Fan                       | 1                   |
| 29. | C-625              | Motor Screw 8-32X2 3/4             | 2                   |
| 30. | C-608P             | Motor Cover (Zinc)                 | 1                   |
|     | C-608P(AL)         | Motor Cover (Aluminum)             | 1                   |
| 31. | C-628              | Cover Screw 6-32 X 2 3/4           | 2                   |
| 32. | 90007-515          | 1/2" Aluminum Chase Nipple         | 1                   |
| 33. | C-308J             | Junction Box                       | 1                   |
| 34. | 90011-129          | Junction Box screw 8-32 X 5/16     | 2                   |

## Exploded View

C-600P



## C- 600P Parts List

| Catalog No.   | Description   | Amount Req'd. |
|---------------|---|---------------|
| 1. C-395N-6A  | Injection valve 6 PSI, Aflas                          | 1             |
| C-395N-6E     | Injection valve 6 PSI, EP (optional)                  | 1             |
| 2. C-335-6    | Discharge Tubing 3/8 OD, 5ft. Opaque Poly-E           | 1             |
| 3. C-330-6    | Tube Nut  | 2             |
| 4. K-568A-4   | Bullet valve (double ball), Aflas, 4 pack set         | 2             |
| K-568A-10     | bullet valve (double ball), Aflas, 10 pack set        | 2             |
| K-569E-4      | Bullet valve (double ball), EP, 4 pack set (optional) | 2             |
| K-569E-10     | Bullet valve (double ball), EP, 10pack set(optional)  | 2             |
| 5. C-334-6    | Suction tubing 3/8' OD, 5ft. Clear PVC w/ indicator   | 1             |
| 6. C-346      | Ceramic weight  | 1             |
| 7. C-340A     | Foot valve / strainer Poly-Pro, Aflas                 | 1             |
| C-340E        | Foot valve / strainer Poly-Pro, EP (optional)         | 1             |
| 8. C-535      | Heavy duty machined pump head                         | 1             |
| 9. C-504HD    | Screw, HD Pump head 10-32 x 1-1/4'                    | 4             |
| 10. C-535FC   | Pump head cover, Chem feed logo                       | 1             |
| 11. C-628     | Cover screw 6-32 x 2-3/4' Steel                       | 2             |
| 12. C-608P    | Motor Cover   | 1             |
| 13. C-625     | Motor screw 8-32 x 2-1/2'                             | 2             |
| 14. C-612F    | Rotor Fan   | 1             |
| 15. C-612PB   | Rotor Bearing   | 2             |
| 16. C-616PN   | Rotor w/ Spacer                                       | 1             |
| 17. C-618P-14 | Gearbox Assembly, 14 RPM                              | 1             |
| C-618P-30     | Gearbox Assembly, 30 RPM                              | 1             |
| C-618P-45     | Gearbox Assembly, 45 RPM                              | 1             |
| C-618P-60     | Gearbox Assembly, 60 RPM                              | 1             |
| C-618P-125    | Gearbox Assembly, 125 RPM                             | 1             |
| C-618P-250    | Gearbox Assembly, 250 RPM                             | 1             |
| 18. C-301     | Motor Mount   | 1             |
| 19. C-624     | Motor Mount Screw 10-32 x 1/2'                        | 4             |
| 20. C-325     | Cam S/A C-600   | 1             |
| 21. C-304     | Yoke w/Bearings                                       | 1             |
| 22. C-406T    | Diaphragm PTFE coated, EP                             | 1             |
| 23. 90011-155 | Screw 6-332 x 3/8'                                    | 1             |
| 24. 90002-201 | Cam Cover   | 1             |
| 25. C-560-6E  | Bullet Valve Adapter, EP O-ring                       | 2             |
| 26. 90007-515 | 1/2" Aluminum Chase Nipple                            | 1             |
| 27. C-308J    | Junction Box Complete w/Cover and Gasket              | 1             |
| 28. C-615P-1  | Stator S/A 115V/60Hz, blue-black (lead wires)         | 1             |
| C-615P-2      | Stator S/A 230V/60Hz, red-black (lead wires)          | 1             |
| C-615P-3      | Stator S/A 220V/50Hz, brown-blue (lead wires)         | 1             |
| C-615P-4      | Stator S/A 24V/60Hz, blue-white (lead wires)          | 1             |
| C-615P-5      | Stator S/A 24V/50Hz, white-white (lead wires)         | 1             |
| C-615P-6      | Stator S/A 230V/60Hz, red-yellow (lead wires)         | 1             |
| C-615P-8      | Stator S/A 220V/50Hz, brown-yellow (lead wires)       | 1             |
| C-615P-9      | Stator S/A 115V/60Hz, blue-yellow (lead wires)        | 1             |
| C-615P-10     | Stator S/A 240V/50Hz, orange-yellow (lead wires)      | 1             |
| C-615P-11     | Stator S/A 240V/50Hz, orange-white (lead wires)       | 1             |

### LIMITED WARRANTY

Your new pump is a quality product and is warranted to be free of defects as set down in this policy. All parts, including rubberized goods, and labor are covered under warranty for 90 days from the date of purchase. Used peristaltic pump tube assemblies are not warranted. Parts, excluding rubberized goods, are covered under warranty for 12 months from the date of purchase.

Warranty coverage does not include damage to the pump that results from misuse, carelessness, abuse or alteration. Only the repair or the replacement of the pump is covered. Blue-White Industries does not assume responsibility for any other loss or damage.

Warranty status is determined by the pump's serial label and the sales invoice or receipt. The serial label must be on the pump and the pump must be accompanied by the sales invoice or receipt to obtain warranty coverage. The warranty status of the pump will be verified by Blue-White or a factory authorized service center.

Please be advised; injection and metering devices are not intended as a means of treating water to render it suitable for human consumption. When used as hypochlorinators, they are meant to destroy bacteria and algae contamination, before it's removal by filtration. Acid and soda injectors are used for PH control (balance). Blue-White injectors are factory tested with water only for pressure and performance. **Installers and operators of these devices must be well informed and aware of the precautions to be taken when injecting various chemicals -especially those considered hazardous or dangerous.**

Should it become necessary to return an injector for repair or service, you must attach information regarding the chemical used as some residue may be present within the unit which could be a hazard to service personnel.

Blue-White Industries will not be liable for any damage that may result by the use of chemicals with their injectors and it's components. Thank you.

### PROCEDURE FOR IN WARRANTY REPAIR

Carefully pack the pump to be repaired, include the foot strainer and injection/check valve fitting. Enclose a brief description of the problem as well as the original invoice or sales receipt showing the date of purchase. The receipt will be returned with the unit. Prepay all shipping costs. COD shipments will not be accepted. Warranty service must be performed by the factory or an authorized service center. Damage caused by improper packaging is the responsibility of the sender.

### AUTHORIZED SERVICE CENTERS

#### ARKANSAS

**BT Environmental, Inc**  
Bill Thomason  
225 Castleberry Street  
Hot Springs, AR 71901  
501-624-3837

**CALIFORNIA (NORTHERN)**  
**Howard E. Hutching company**  
**(Repair Center)**  
7190 Penryn Plaza  
Penryn, CA 95663  
800-568-3958

**Swimco Electric Co.**  
753 Camden Avenue  
Campbell, CA 95008  
408-378-2607

**CALIFORNIA (SOUTHERN)**  
**Blue-White Industries**  
**(Repair Center)**  
5300 Business Drive  
Huntington Bch. CA 92649  
714-893-8529

**COLORADO**  
**Denver Winpump**  
5754 Lamer ave  
Arvada, CO 80002  
303-424-3551

**CONNECTICUT**  
**Cronin-Cook & Associates**  
24 West Road  
Vernon, CT 06029  
860-875-0544

**Rice Pump & Motor Repair**  
5740 Powerline Road  
Ft. Lauderdale FL 33309  
954-776-6049

**American Pump**  
7580-A W. Tennessee St.  
Tallahassee, FL 32304  
850-575-9618

**Jerry Lee Chemical Co.**  
3407 W. Old Fairfield Drive  
Pensacola, FL 32505  
904-432-9929

#### Picard Chemical

1670 S. Congress Avenue  
W. Palm Beach, FL 33406  
561-965-3434

**ILLINOIS**  
**Mullarkey Associates**  
**(Repair Center)**  
12346 S. Keeler Ave.  
Alsip, IL 60658  
708-597-5558

**MARYLAND**  
**Century Pool Service, Inc**  
5020 Nicholson Court, #201  
Kensington, MD 20895  
301-231-8999

**NEW YORK**  
**Sherwood Specialties, Inc.**  
875 Atlantic Ave. 'B'  
Rochester, NY 14609  
585-546-1211

**NORTH CAROLINA**  
**Southern Industrial Sales**  
1903 Herring Avenue  
Wilson, NC 27893  
800-872-7665

**SOUTH DAKOTA**  
**Son-Aqua Distributing**  
Jim Robinson  
2447 W. Main Street  
Rapid City, SD 57702  
605-343-7716

**TENNESSEE**  
**Rock City Machine**  
307 3rd Avenue South  
Nashville, TN 37201  
615-244-1371

**TEXAS**  
**Alamo Water Refiners**  
13700 Hwy. 90 West  
San Antonio, TX 78245  
210-677-8400

#### Shelter's Water Refining

Robert Shelton  
2708 E. Randol Mill Rd.  
Arlington, TX 76011  
817-640-6188



Users of electrical and electronic equipment (EEE) with the WEEE marking per Annex IV of the WEEE Directive must not dispose of end of life EEE as unsorted municipal waste, but use the collection framework available to them for the return, recycle, recovery of WEEE and minimize any potential effects of EEE on the environment and human health due to the presence of hazardous substances. The WEEE marking applies only to countries within the European Union (EU) and Norway. Appliances are labeled in accordance with European Directive 2002/96/EC.

Contact your local waste recovery agency for a *Designated Collection Facility* in your area.