

Technical characteristics

- Flow rates:
 - 5 l/h at 8 bar
 - 3 l/h at 10 bar
- Power supply:
 - 100÷240 Vac 50/60 Hz
 - 240 Vac 50/60 Hz
 - 24 Vac/dc
- Stroke rate: 160 strokes/minute
- Pump head:
 - PVC
- Diaphragm: PTFE
- External Enclosure: PP protection degree IP65
- Installation kit: Included

Seko Kompact Series is a simple solenoid dosing pump, operating with a micro-processor to manage the dosing.

Its external enclosure has an IP55, which guarantees a protection versus splashing water and aggressive environments.

Kompact pump has a LED, which shows the state of the operation, according the dosing regulation, constant **C** or proportional **P**:

Constant

- Steady green LED switches off with every stroke (pump running)
- Flashing green LED when the potentiometer is to 0
- Steady red LED switches on with the low level alarm

Proportional

- Steady orange LED switches off with every stroke (pump running)
- Flashing orange LED when the potentiometer is to 0

The pump head has a manual priming valve, the flow rate is manually adjustable from 0 (pump stop) to 100% of the max flow rate moreover it is equipped with the low level alarm and includes the installation kit as well.

. Kompact pump can be fixed on wall by fixing brackets .

Models

AMS Constant flow rate manually adjustable by control dial on the front panel

AML Constant flow rate manually adjustable by control dial on the front panel, two flow rate ranges:

- **C** position 0-20% of max flow rate
- **P** position 0-100% of max flow rate

AMM Constant flow rate manually adjustable and proportional according to a signal 4-20 mA

AMC Constant flow rate manually adjustable and proportional according to a digital signal (Division mode 4:1)

DOSING PUMP

Kompact SERIES- Solenoid dosing pump

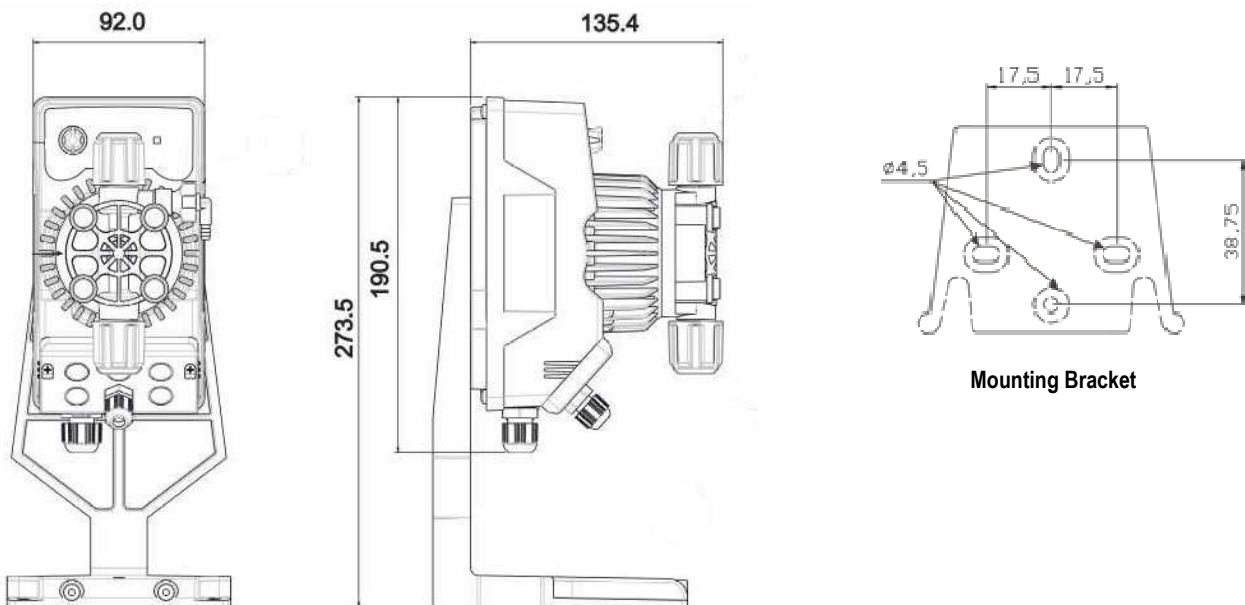
PUMP KEY CODE

1°	Model							
AMS	Analog dosing pump with constant flow rate, manually adjustable							
AML	Analog dosing pump with constant flow rate, manually adjustable, two frequency range 0÷20% (P position), 0÷100% (C position) of max flow rate, level control input							
AMM	Analog dosing pump with two frequency ranges: constant flow rate (manually adjustable) and proportional flow rate according to an external analog (4-20 mA) signal, level control input							
AMC	Analogic dosing pump with two frequency ranges: constant flow rate (manually adjustable) and proportional flow rate according to an external digital (water meter) signal, Division mode 4:1, level control input							
2°	Hydraulic							
200	Pressure [bar]	Flow rate [l/l]	cc/stroke	Stroke/min				
	8	5	0,52	160				
	10	3	0,31					
3°	Power supply							
A	240 Vac 50 Hz (AMS)							
N	100÷240 Vac 50/60 Hz							
O	24 Vac/Vdc							
4°	Pump head							
P	Body pump	Ball	Diaphragm					
	PVC	Ceramic	PTFE					
5°	Installation kit enclosed							
E	Foot filter / Injection valve					Ball		
	PP					Ceramic		
6°	Seat valve							
0	FPM							
1	EPDM							
7°	Market							
0	ALL							
U	USA							
8	CHINA							
8°	Optional							
0	Standard							
9°	Optional							
0	Standard							
AML	200	N	P	E	0	0	0	0

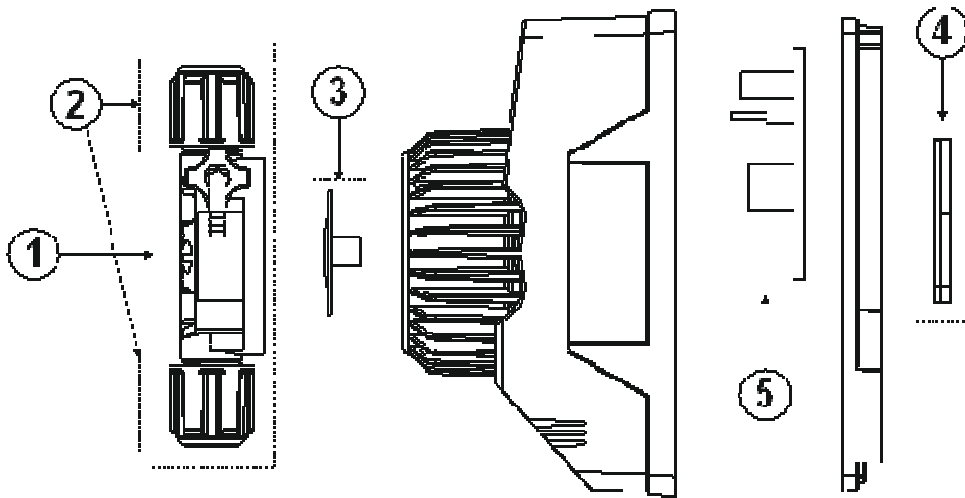
HYDRAULIC CHARACTERISTICS

Pump Model	Stroke/ min	Flow rate		Power supply
		l/h	l/h	
A M S 2 0 0	160	5 at 8 bar	3 at 10 bar	240 Vac
A M S 2 0 0	160	8 at 2 bar	6 at 5 bar	24 Vac
A M S 2 0 0	160	7 at 2 bar		24 Vdc
A M L 2 0 0	160	5 at 8 bar	3 at 10 bar	100÷240 Vac
A M M 2 0 0	160			
A M C 2 0 0	160			

DIMENSIONS*



*The dimension are the same for all models



Ref.	Description	Model
1	Complete Pump Head (PVC, Ceramic balls) Seals and Valves made in:	FPM
		EPDM
2	Valve assembly Suction + Discharge (PVC / Ceramic) Seals made in:	FPM
		EPDM
3	Diaphragm	PTFE
4	Mounting bracket	all the models
5	Electronic control boards	all the models

INSTALLATION KIT

WTD Installation Kit- PP Foot filter, Screws, fixing bracket, Injection valve, 2m PE tube (delivery), 4 mt PVC tube (suction), Seal in FPM and EPDM	all the models
---	----------------



Fixing bracket



Injection valve



Suction tube



Delivery tube



Foot filter